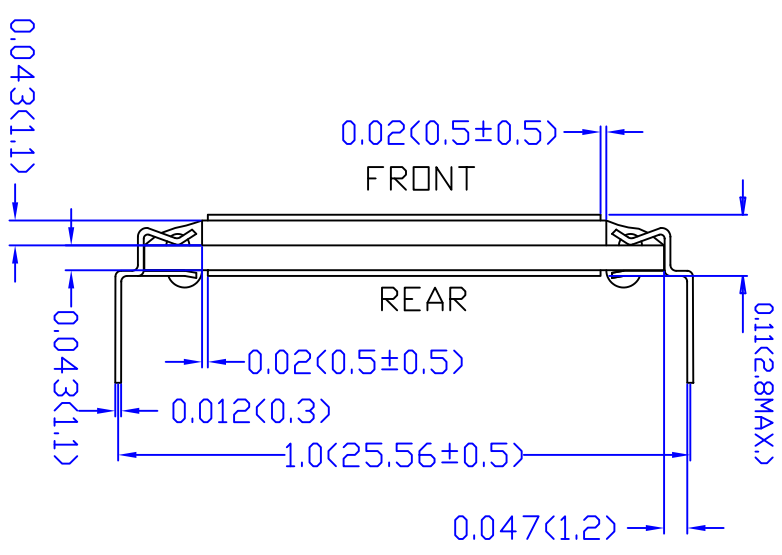


- NOTE:
1. DISPLAY TYPE: TN, POSITIVE IMAGE, REFLECTIVE (BLACK CHARACTERS - LIGHT BACKGROUND).
 2. DRIVE METHOD: STATIC
 3. OPERATING TEMP: -40 TD +113 DEG C.
 4. WIDE FIELD OF VIEW.
 5. VIEW ANGLE: 1:30
 6. ROHS COMPLIANT



PIN	FUNCT	PIN	FUNCT
1	BP	40	BP
2	Y	39	X
3	4B,4C	38	Z
4	---	37	---
5	---	36	---
6	---	35	---
7	---	34	---
8	DP3	33	---
9	3E	32	3G
10	3D	31	3F
11	3C	30	3A
12	DP2	29	3B
13	2E	28	COLDN
14	2D	27	2G
15	2C	26	2F
16	DP1	25	2A
17	1E	24	2B
18	1D	23	1G
19	1C	22	1F
20	1B	21	1A

LXD 200 ACC BLVD RALEIGH, NC 27617 (919) 800-6440 (800) 786-8720 www.lxdinc.com

DESCRIPTION: **0.35X3.3 DIGITS**

PART NUMBER: **H0033B**

DRAWING: **2397** REV: **B**

DRAWN: **LJO** DATE: **03/25/2005** SHEET: **1 OF 1**

UNLESS OTHERWISE SPECIFIED TOLERANCES ARE: MM ±0.25 INCH ±0.01

INFORMATION CONTAINED HEREIN IS PROPRIETARY TO LXD, AND MAY NOT BE USED OR DISCLOSED WITHOUT THE PERMISSION OF LXD

DO NOT SCALE