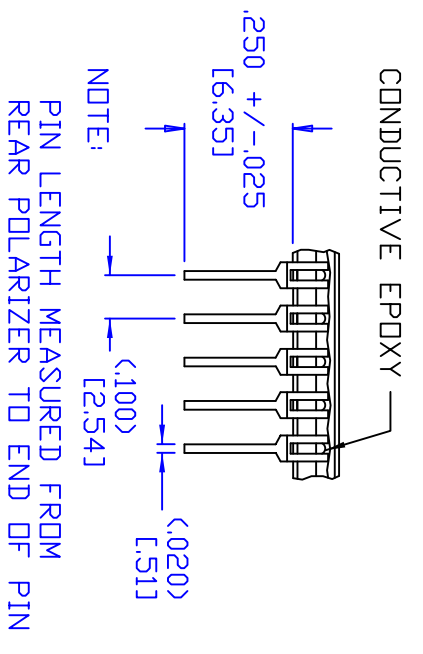
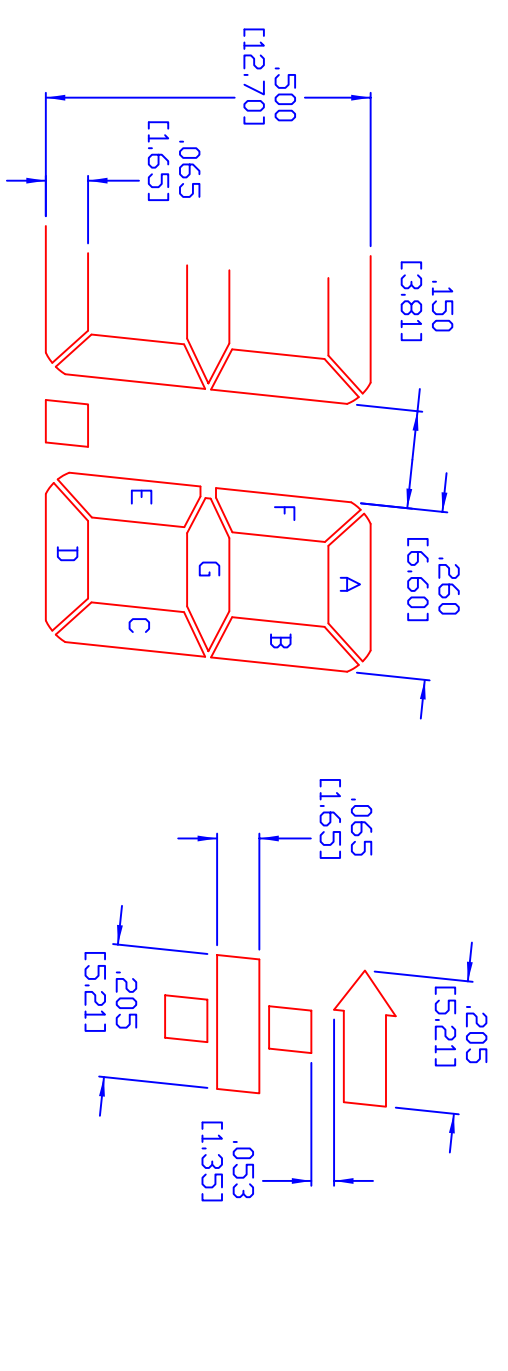


PIN#	SEG	PIN#	SEG
1	BP	40	BP
2	Y	39	X
3	4B,4C	38	Z
4	NC	37	NC
5	NC	36	NC
6	NC	35	NC
7	NC	34	NC
8	DP3	33	NC
9	3E	32	3G
10	3D	31	3F
11	3C	30	3A
12	DP2	29	3B
13	2E	28	COL
14	2D	27	2G
15	2C	26	2F
16	DP1	25	2A
17	1E	24	2B
18	1D	23	1G
19	1C	22	1F
20	1B	21	1A



- NOTE:
1. DISPLAY: TN, REFLECTIVE, POSITIVE IMAGE (BLACK CHARACTERS - LIGHT BACKGROUND).
  2. OPERATING TEMP: -40 TO +113 DEG C.
  3. WIDE FIELD OF VIEW.
  4. VIEW ANGLE: 1:30
  5. STATIC DRIVE
  6. FRONT POLARIZER TO BE VERTICAL TO BE COMPATIBLE WITH POLARIZED SUNGLASSES.
  7. ROHS

**LXD**  
LCD CRISTAL DISPLAYS  
www.lxdinc.com

200 ACC BLVD  
RALEIGH, NC 27617  
(919) 800-6440  
(800) 786-8720

DESCRIPTION  
**0.5X3.5 DIGITS**

PART NUMBER  
**H00043B**

INFORMATION CONTAINED HEREIN IS PROPRIETARY TO LXD, AND MAY NOT BE USED OR DISCLOSED WITHOUT THE PERMISSION OF LXD

UNLESS OTHERWISE SPECIFIED TOLERANCES ARE:  
MM ±0.25  
INCH ±0.01

DRAWING  
**2396**

REV  
**A**

DRAWN  
**LJO**

DATE  
**03/25/2005**

SHEET  
**1 OF 1**

DO NOT SCALE