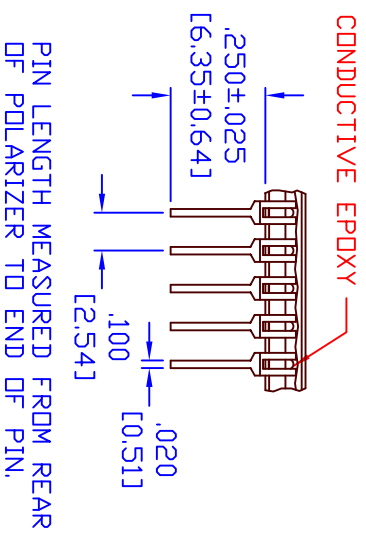
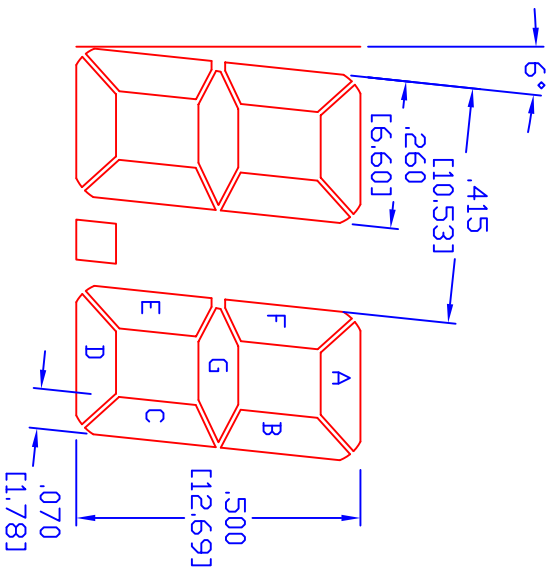


PIN#	SEGM	PIN#	SEGM
1	BP	68	8G
2	BE	67	8F
3	BD	66	8A
4	BC	65	8B
5	DP7	64	7G
6	7E	63	7F
7	7D	62	7A
8	7C	61	7B
9	DP6	60	L3
10	---	59	6G
11	6E	58	6F
12	6D	57	6A
13	6C	56	6B
14	DP5	55	5G
15	5E	54	5F
16	5D	53	5A
17	5C	52	5B
18	DP4	51	L2
19	4E	50	4G
20	4D	49	4F
21	4C	48	4A
22	DP3	47	4B
23	3E	46	3G
24	3D	45	3F
25	3C	44	3A
26	DP2	43	3B
27	2E	42	L1
28	2D	41	2G
29	2C	40	2F
30	DP1	39	2A
31	1E	38	2B
32	1D	37	1G
33	1C	36	1F
34	1B	35	1A



- NOTES:
1. DISPLAY: TN, POSITIVE, REFLECTIVE (BLACK CHARACTERS - LIGHT BACKROUND)
 2. OPERATING TEMP: -40 TO +113 DEG C
 3. STATIC DRIVE 5V, V10 = 2.3 +/-0.2, V90 = 3.5 +/-0.2, dv/dt LESS THAN 3.9 MV/DEG C
 4. WIDE FIELD OF VIEW
 5. POLARIZER: OUTDOOR HIGH STABILITY (80 DEG C / 85% RH 250 HRS MIN)
 6. FRONT POLARIZER TO BE VERTICAL TO BE COMPATIBLE WITH POLARIZED SUNGLASSES.
 7. VIEW ANGLE: 1:30
 8. ROHS COMPLIANT.



DESCRIPTION
0.5 X 8 DIGITS

PART NUMBER
H4060B

DRAWING
2244 REV
B



INFORMATION CONTAINED HEREIN IS PROPRIETARY TO LXD, AND MAY NOT BE USED OR DISCLOSED WITHOUT THE PERMISSION OF LXD

DO NOT SCALE



DRAWN	DATE	SHEET
LJO	01/07/2004	1 OF 1