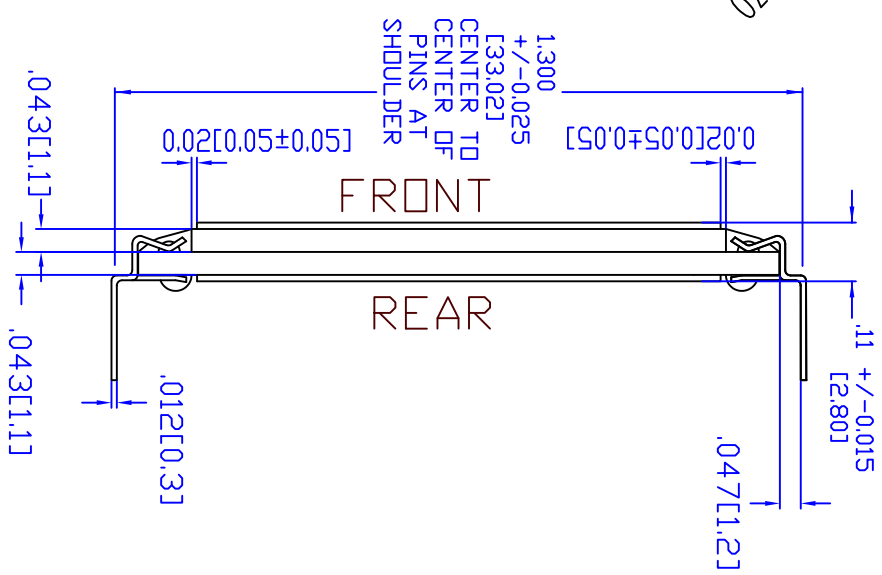


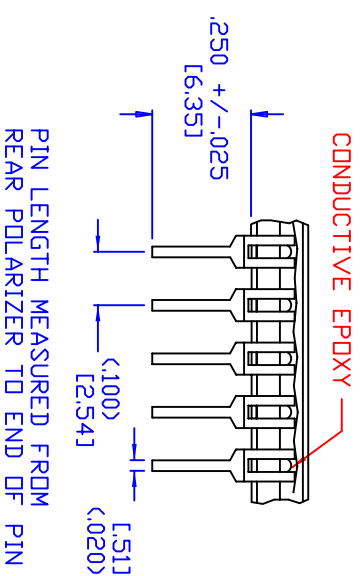
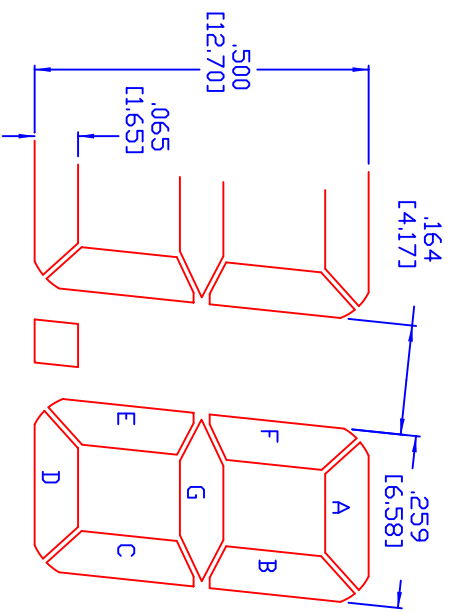
VIEW DIR: 1:30



| PIN | FUNC | PIN | FUNC |
|-----|------|-----|------|
| 1 | BP | 40 | BP |
| 2 | --- | 39 | --- |
| 3 | --- | 38 | --- |
| 4 | --- | 37 | 4G |
| 5 | 4E | 36 | 4F |
| 6 | 4D | 35 | 4A |
| 7 | 4C | 34 | 4B |
| 8 | DP3 | 33 | --- |
| 9 | 3E | 32 | 3G |
| 10 | 3D | 31 | 3F |
| 11 | 3C | 30 | 3A |
| 12 | DP2 | 29 | 3B |
| 13 | 2E | 28 | COL |
| 14 | 2D | 27 | 2G |
| 15 | 2C | 26 | 2F |
| 16 | DP1 | 25 | 2A |
| 17 | 1E | 24 | 2B |
| 18 | 1D | 23 | 1G |
| 19 | 1C | 22 | 1F |
| 20 | 1B | 21 | 1A |

NOTE :

1. DISPLAY: TN, TRANSELECTIVE, POSITIVE IMAGE (BLACK CHARACTERS - LIGHT BACKGROUND).
2. OPERATING TEMP: -40 TD +113 DEG C.
3. WIDE FIELD OF VIEW.
4. POLARIZER: OUTDOOR HIGH STABILITY (80 DEG C / 85% RH 250 HRS MIN).
5. FRONT POLARIZER TD BE VERTICAL TD BE COMPATIBLE WITH POLARIZED SUNGLASSES.
6. VIEW ANGLE: 1:30
7. STATIC DRIVE
8. ROHS COMPLIANT.



LXD
 200 ACC BLVD.
 RALEIGH, NC 27617
 (919) 600-6440
 (800) 786-8700
 www.lxdinc.com

DESCRIPTION
0.50X4 DIGITS
 PART NUMBER
H4095C

INFORMATION CONTAINED HEREIN IS PROPRIETARY TO LXD, AND MAY NOT BE USED OR DISCLOSED WITHOUT THE WRITTEN PERMISSION OF LXD

DRAWING
2321
 REV -

UNLESS OTHERWISE SPECIFIED TOLERANCES ARE:
 MM .30, .25
 INCH .010

DRAWN RRR DATE 9/29/2009 SHEET 1 OF 1

DO NOT SCALE